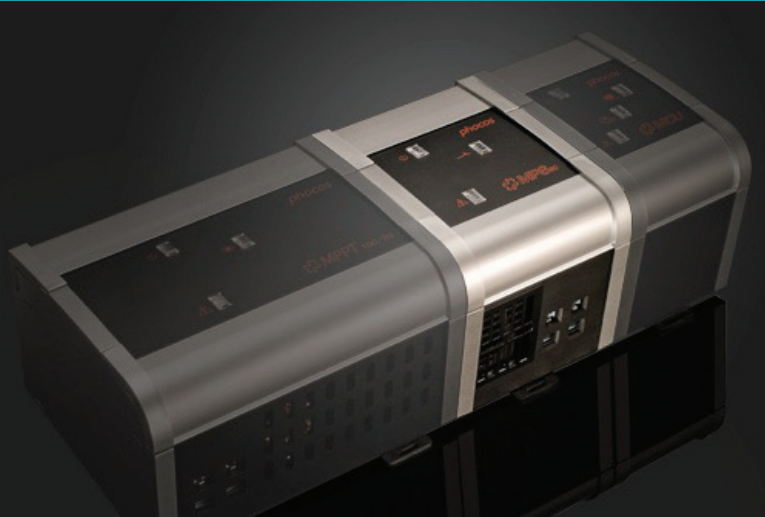


# MPS Series

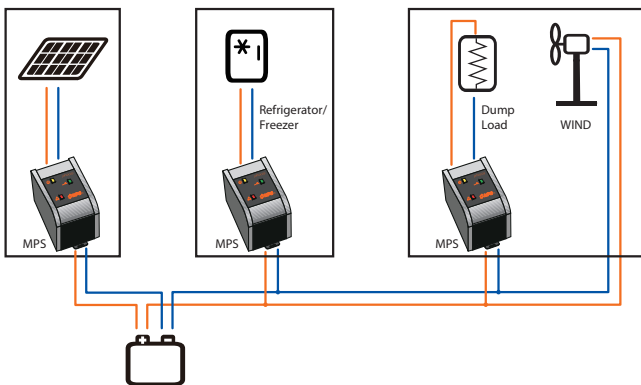
Modular Power Switch



## Multi-functional, flexible power switch

- Works in 12, 24 or 48 V systems
- Flexible grounding (positive or negative)
- Fully adjustable low-voltage disconnect feature (with MCU)

### Configure MPS to fit a wide range of applications



#### Versatile

- Power switch can be configured as a solar charge controller, DC load controller (with LVD) or Diversion Load controller for wind/hydro generators
- Use either PWM or Bank switching solar charge control methods

#### Build Your System

- Use as a stand alone power switch/controller or as part of a Modular Power Management system for larger applications
- Connect up to eight (8) MPS units

#### Protected

- Thermal overload protection and temperature compensation of battery voltage
- Short circuit disconnect function

MPS is an Innovative, multi-functional power switching module for stand-alone power supplies for a wide range of applications. It can be configured to work as a solar charge controller, DC load switch (w/ LVD) or Diversion Load switch for wind and hydro systems.

The MPS is very flexible. It features flexible grounding (positive or negative) and works in 12,24, or 48V systems. The MPS also allows for two different solar charge controlling methods: PWM or Bank switching for low EMI applications.

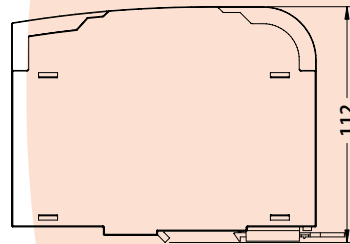
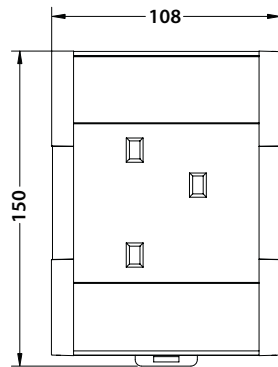
### Application Examples

- Telecommunications
- SCADA



## Technical Data

Type	MPS 45	MPS 80
Nominal voltage	12/24/48 V (Auto detection)	
Load current max.	45 A	80 A
Max. panel voltage	30 V in 12 V system 50 V in 24 V system 95 V in 48 V system	
Own consumption	< 10 mA	
Grounding	Positive grounding and negative grounding are selectable	
Ambient temperature	-40 to 122°F (-40 to +50 °C)	
Dimensions (W x H x D)	4.25 x 6 x 4.4 in (108 x 150 x 112 mm)	
Weight	2.2 lbs (1,007 g)	2.4 (1,100 g)
Type of protection	IP22	



## Product Family



**MCU**  
Modular Computer Unit  
Selectable System Voltage:  
12/24/48 V  
Up to 5-Years Datalogging



**MRD**  
Remote Display for MCU  
Display panel current,  
load current and battery voltage,  
Ah, SOC, etc.



**MODCOM**  
Application software for MCU  
communicating with computer



**MCS**  
Modular Current Sensor  
Settings system voltage 12/24/48 V  
RS485 socket  
Current measurement range  
50/100/200/400/800 A



**MTS**  
External temperature  
sensor for MCU



**MXI**  
Interface for CX series controller  
communications with computer  
RS232/USB interface