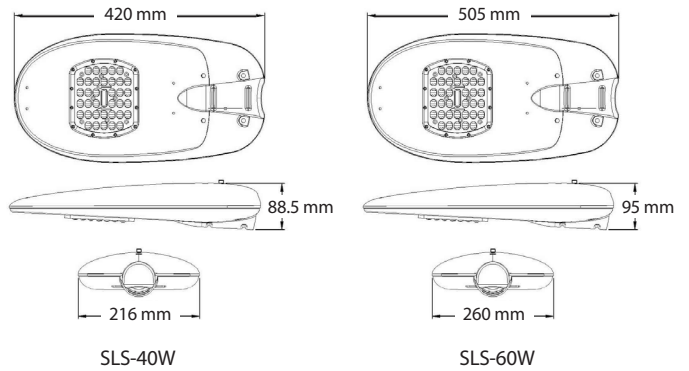




### Technical Drawing



### Product Introduction

The street light system (SLS series) outdoor lighting luminaires are the ideal, cost-effective choice for autonomous roadway, pathway and area lighting applications. The high-luminosity LED design features an extremely long life (>50,000 h) and high-quality optics for clean, reliable lighting. This off-grid lighting solution avoids costly trenching for grid power access, offering simplicity and cost savings. The high transparency glass-cover provides an optimized light pattern for roadways with superior light distribution.

All SLS series luminaires feature a built-in Phocos solar charge controller (PWM and MPPT options available) and LED driver, which makes installation hassle-free. Just add an appropriately sized battery bank, solar panel/array and mounting pole and the SLS series easily integrates as an autonomous solar outdoor lighting system.

IP65 designates this product is specially designed for outdoor applications in extreme environments and the integrated heat sink supplies optimal heat dissipation in extreme temperatures.

### Product Features

- High efficiency, long life LED chip
- LED matrix arrangement, glare free, homogeneous lighting
- Streamlined design, excellent thermal performance
- Integrated Phocos high performance, high efficiency CIS-LED charge controller, in MPPT or PWM technology

### Model-Specific Data

Type	SLS-40W-PWM	SLS-60W-PWM	SLS-40W-MPPT	SLS-60W-MPPT
Rated Power	40 W	60 W	40 W	60 W
Luminous Flux	6000 lm	9000 lm	6000 lm	9000 lm
Max Charge Current	20 A		15 A	
Max Panel Input Voltage	30/50 V		85 V	
Max PV Power Input	350/700 W		250/500 W	
Regulation Type	PWM		MPPT	
Idle Self-Consumption	5-8 mA		< 10mA	
Grounding	Negative		Positive	
Dimensions (mm/in)	420 x 216 x 88.5/ 16.5 x 16.4 x 3.5	505 x 260 x 95/ 19.9 x 10.2 x 3.7	420 x 216 x 88.5/ 16.5 x 16.4 x 3.5	505 x 260 x 95/ 19.9 x 10.2 x 3.7
Weight	2.8 kg / 6.2 lbs	4 kg / 8.8 lbs	2.8 kg / 6.2 lbs	4 kg / 8.8 lbs

### Technical Data

Type	SLS Series
System Voltage	12/24 V auto recognition
Luminous Efficiency	150 lm/W
LED Lifetime	>50,000 h
Color Rendering Index	Ra>70
Color Temperature	3000-6500 K
Ambient Temperature	-40 to +80 °C
Working Temperature	-40 to +50 °C, 10%-9% RH
Battery Types	Lead acid (gel, AGM, flooded), LFP
Ingress Protection	IP65 (luminaire), IP68 (controller/driver)
Max Altitude	4,000m above sea level
Warranty	5 years

### Isolux Diagram

