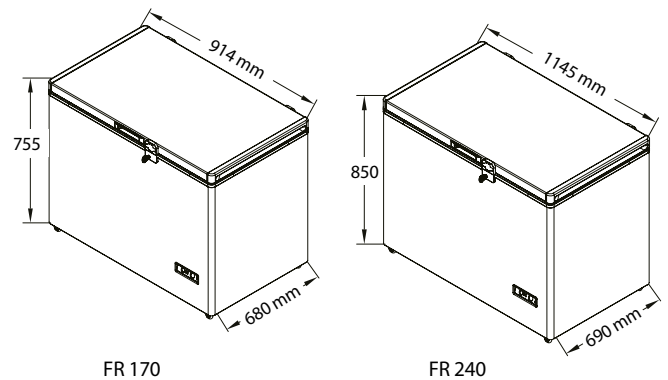




**Technical Drawing**



**Product Introduction**

The Phocos FR Series provides flexibility to our customers, creating a valuable solution for various applications. In the field, these units can be used with 12V or 24V batteries, and can operate as a refrigerator or freezer (by simply adjusting the thermostat). The FR series units are battery-powered and do not require an inverter to operate. Their maintenance-free, Danfoss brushless DC compressor allows for direct operation from a battery. Energy-efficient features such as extra-thick insulation and a lockable lid make them especially suited for solar-powered applications.

These DC appliances come with easy-to-clean aluminum lining and a low-frost system that reduces the formation of water condensation and ice.

**Product Features and Functions**

- Adjustable thermostat
- Doesn't require an inverter
- Works with both 12/24 V systems (auto recognition)
- High-efficiency cooling
- Plastic inner-lining prevents corrosion

**Technical Data**

Type	FR170MP	FR240MP
System Voltage	12/24 V auto recognition	
Temperature Range	-12 °C* to +6 °C	
PV Panel Size (typ. max.)	80/160W	100/200W
Energy Consumption at 70 °F/21 °C	97 Wh/day (fridge), 296 Wh/day (freezer)	104 Wh/day (fridge), 398 Wh/day (freezer)
Energy Consumption at 90 °F/32 °C	166 Wh/day (fridge), 440 Wh/day (freezer)	218 Wh/day (fridge), 552 Wh/day (freezer)
Content (Capacity)	170 L	240 L
Refrigerant	R-134a	
Door Type	Top opening	
Color	White	
Cabinet Dimensions (WxHxD)	914 x 755 x 680 mm / 36 x 29.7 x 26.8 in	1145 x 850 x 690 mm / 45 x 33.5 x 27.2 in
Inner Dimensions (WxHxD)	671 x 670 x 436 mm/ 26.4 x 26.4 x 17.2 in	900 x 671 x 440 mm/ 35.4 x 26.4 x 17.3 in
Battery Compartment Dimensions (WxHxD)	250 x 200 x 220 mm/ 9.8 x 7.9 x 8.7 in	
Ambient Temperature	10 to 43 °C**	
Wheels	On request***	
Weight	50 kg / 110 lbs (without package and pallet)	57.5 kg / 126.8 lbs (without package and pallet)
Warranty	5 years	

\*Up to 38 °C ambient temperature.

\*\*It is recommended to keep the fridge/freezer at maximum 32 °C ambient temperature or below.

\*\*\*Extra costs may apply. Available in container quantity orders shipping EXW factory.