

# Phocos CXNsolid (50 A)

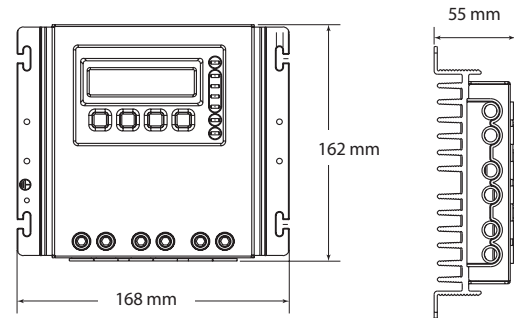
## Programmable Solar Charge Controller



phocos



### Technical Drawing



### Product Introduction

The CXNsolid is a programmable PWM solar charge controller for the toughest industrial applications. At 50 A max. charge/load current, CXNsolid is suitable for PV systems up to 3.5 kW. CXNsolid can be easily paired with the PSW (Pure Sine Wave) series inverters for remote ON/OFF control.

The battery state of charge is clearly displayed using an LED bar graph. The deep discharge protection function can be set to up to 2 different modes: voltage-controlled or SOC-controlled. Acoustic warnings for load-disconnect are built-in.

### Product Features

- Multifunction LCD shows system status
- User-friendly configuration interface with buttons
- LEDs display the battery state of charge
- Flexible load disconnect algorithms
- Temperature-compensated four-stage PWM series charging regulation
- External temperature sensor
- Remote output terminal for the Phocos inverter series
- Optional USB interface (MXI + PhocosLink)
- Aluminum housing (IP20)
- Real time clock
- Datalogger (2 years)
- Highly programmable

### Optional Accessories



#### MXI USB and MXI 232

- Interface for CXNsolid controller communication with computer via USB or RS232 interface

### Technical Data

Type	CXNsolid50
System Voltage	12/24/48 V auto recognition
Max. Charge/Load Current	50 A
Float Charge	13.8/27.6/55.2 V (25 °C)
Main Charge	14.4/28.8/57.6 V (25 °C), 0.5 h daily
Boost Charge	14.4/28.8/57.6 V (25 °C), for 2 h; activation: battery voltage < 12.3/24.6/49.2 V
Equalization Charge	14.8/29.6/59.2 V (25 °C), for 2 h activation: battery voltage < 12.1/24.2/48.4 V (at least every 30 days)
Deep-Discharge Protection	11.5-12.0/23.0-24.0/46.0-48.0 V (by SOC) 11.0-11.5/22.0-23.0/44.0-46.0 V (by voltage)
Reconnect Level	12.8/25.6/51.2 V
Overvoltage Protection	15.5/31.0/62.0 V
Undervoltage Protection	10.5/21.0/42.0 V
Max. Panel Voltage	30/50/100 V
Temperature Compensation	-25 mV/K (12 V); -50 mV/K (24 V); -100 mV/K (48 V)
Idle Self-Consumption	<20 mA
Grounding	Negative grounded
Ambient Temperature	-20 to +50 °C
Max. Altitude	4,000 m above sea level
Battery Type	Lead acid (gel, AGM, flooded)
Datalogger	2 years
Max. Wire Cross Section	up to 50 mm <sup>2</sup>
Dimensions (WxHxD)	168 x 162 x 55 mm / 6.6 x 6.4 x 2.2 in
Weight	1 kg / 2.2 lbs
Ingress Protection	IP20
Certificates	CE compliant, RoHS compliant
Warranty	5 years