

Phocos Dingo (20 A)

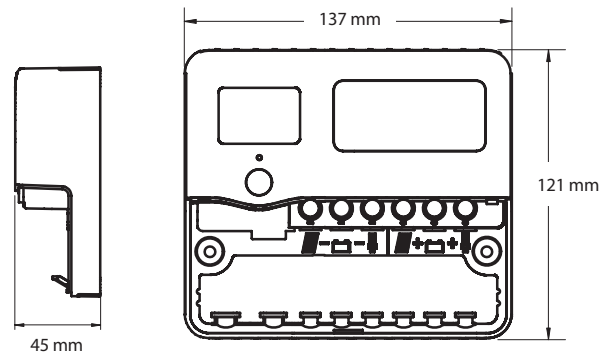
Programmable PWM Solar Charge Controller



phocos



Technical Drawing



Product Introduction

Phocos' DINGO charge controller has a negative ground that makes it a great option to be used in vehicles. Its communication interface uses the MODBUS protocol, which has been tried and tested in harsh environments.

The DINGO's large memory tracks data such as charging Ah, load Ah, battery voltage range and the daily state of charge for 512 days. The data of the past 99 days can be accessed directly using the built-in LCD display with LED backlighting.

Product Features and Functions

- User-programmable charge regime and low-voltage disconnect
- Powerful event control feature can be programmed for the load port and/or a general purpose, voltage-only port
- Up to 512 days of datalogging
- Backlit LCD shows real time and 99 days of historical data
- Auto generator start feature ideal for backup diesel and fuel cell gensets
- Terminals can be configured for diversion load controllers for wind/hydro charging inputs
- Remote monitoring with accessories and modem

Optional Accessories

- D232** - RS232 Interface
- DT** - Remote Temperature Sensor
- DUSB** - USB Interface
- DTB** - Remote (bolt on) Temperature Sensor (neoprene)
- DNet** - Ethernet Adapter
- SHUNT** - External Current Shunt
- DSA** - External Shunt Adapter
- PRISM** - PC Software

Technical Data

Type	D2020N
System Voltage	12/24/32/36/48 V selectable
Max. Charge/Load Current	20 A
Float Charge	13.0 V - 60.0 V (adjustable)
Boost Charge	13.5 V - 66.0 V (adjustable)
Equalization Charge	14.0 V - 68.0 V (adjustable) (at least every 30 days)
Deep-Discharge Protection	10.0 V - 50.0 V (adjustable)
Reconnect Level	11.0 V - 64.0 V (adjustable)
Max. Panel Voltage	100 V
Temperature Compensation	Default: -5 mV/K per cell (adjustable)
Idle Self-Consumption	9 mA (12 V) - 26 mA (60 V)
Grounding	Negative grounded
Ambient Temperature	-20 to 55 °C
Max. Altitude	4,000 m above sea level
Battery Type	Lead acid (AGM, gel, flooded)
Screw Terminal Max. Wire Cross Section	16 mm ² (6 AWG)
Dimensions (WxHxD)	137 x 121 x 45 mm / 5.4 x 4.8 x 1.8 in
Weight	0.45 kg / 1 lb
Ingress Protection	IP20
Warranty	5 years