

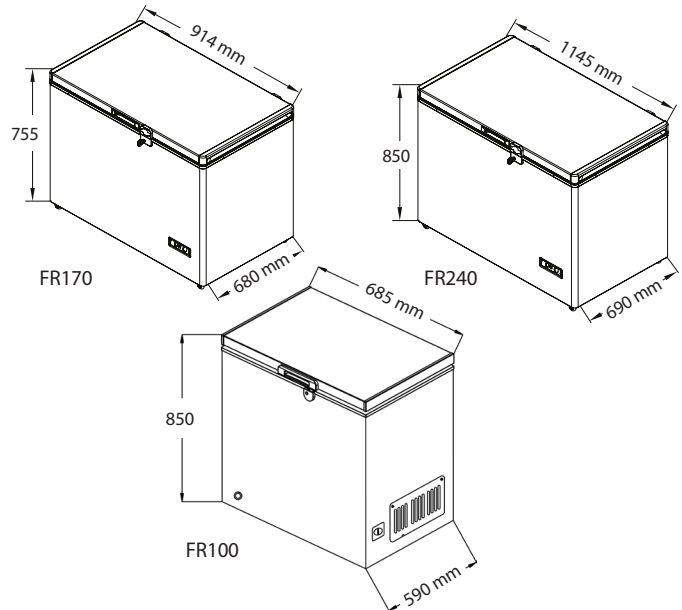


Product Introduction

The Phocos FR Series provides flexibility to our customers, creating a valuable solution for various applications. In the field, these units can be used with 12 V or 24 V batteries, and can operate as a refrigerator or freezer (by simply adjusting the thermostat). The FR series units contain a maintenance-free brushless DC compressor for direct connection to a battery and do not require an inverter to operate. Energy-efficient features such as extra-thick insulation and a lockable lid make them especially suited for solar-powered applications.

These DC appliances have an easy to clean inner lining. A run-off plug allows easy de-icing for the FR100. The FR170MP and FR240MP models also include space for a battery with their integrated battery compartment.

Technical Drawing



Product Features

- Works as a fridge or freezer with adjustable thermostat
- Does not require an inverter
- Works with both 12 / 24 V systems (auto recognition)
- High-efficiency cooling
- Environmentally-friendly refrigerant
- Hanging basket(s) included for better space utilisation inside

Technical Data

Type	FR100	FR170MP	FR240MP
System Voltage	12 / 24 V auto recognition		
Temperature Range	-18* to +8 °C / -0.4* to +46.4 °F	-12* to +6 °C / 10.4* to 42.8 °F	
PV Panel Size	70 W	80 W	100 W
Energy Consumption at 70 °F / 21 °C	108 Wh / day (fridge**), 553 Wh / day (deep-freezer**)	97 Wh / day (fridge**), 296 Wh / day (freezer**)	104 Wh / day (fridge**), 398 Wh / day (freezer**)
Energy Consumption at 90 °F / 32 °C	181 Wh / day (fridge**), 659 Wh / day (deep-freezer**)	166 Wh / day (fridge**), 440 Wh / day (freezer**)	218 Wh / day (fridge**), 552 Wh / day (freezer**)
Content (Net Capacity)	104 L	170 L	240 L
Refrigerant	R600a	R134a	
Ambient Temperature	+10 to +43 °C / +50 to +104 °F	+10 to +43 °C*** / +50 to +104 °F***	
Door Type	Top opening		
Cabinet Dimensions (WxHxD)	685 x 850 x 590 mm / 27 x 33.5 x 23.2 in	914 x 755 x 680 mm / 36 x 29.7 x 26.8 in	1145 x 850 x 690 mm / 45 x 33.5 x 27.2 in
Inner Dimensions (WxHxD)	505 x 640 x 375 mm (excl. compressor recess of 190 x 210 x 375 mm) / 19.9 x 25.2 x 14.8 in (excl. compressor recess of 7.5 x 8.3 x 14.8 in)	671 x 670 x 436 mm / 26.4 x 26.4 x 17.2 in	900 x 671 x 440 mm / 35.4 x 26.4 x 17.3 in
Battery Compartment Dimensions (WxHxD)	n/a	250 x 200 x 220 mm / 9.8 x 7.9 x 8.7 in	
Weight	29 kg / 64 lbs	50 kg / 110 lbs	57.5 kg / 126.8 lbs
Warranty	2 years	5 years	

* Up to 38 °C ambient temperature.

** Measured at +8 °C / +46.4 °F (fridge) and -18 °C / -0.4 °F (deep-freezer) temperatures.

*** It is recommended to keep the fridge / freezer at maximum 32 °C ambient temperature or below.