

# CXNsolid (50 A)

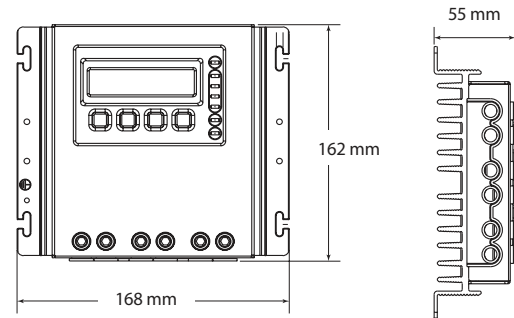
## Programmable Solar Charge Controller



phocos



### Technical Drawing



### Product Introduction

The CXNsolid is a programmable PWM solar charge controller for the toughest industrial applications. At 50 A max. charge/load current, it is suitable for PV systems up to 3.5 kW. The CXNsolid can be easily paired with the PSW (Pure Sine Wave) series inverters for remote ON/OFF control.

The battery state of charge is clearly displayed using an LED bar graph. The deep discharge protection function can be set to voltage-controlled or SOC-controlled modes. Acoustic warnings for load-disconnect are built-in.

### Product Features

- Multifunction LCD shows system status
- User-friendly configuration interface with buttons
- LEDs display the battery state of charge
- Flexible load disconnect algorithms
- Temperature-compensated four-stage PWM series charging regulation
- External temperature sensor
- Remote output terminal for the Phocos inverter series
- Optional USB interface (MXI + PhocosLink)
- Aluminum housing (IP20)
- Real time clock
- Datalogger (2 years)

### Optional Accessories



#### MXI USB and MXI 232

- Interface for CXNsolid controller communication with computer via USB or RS232 interface

### Technical Data

Type	CXNsolid50
System Voltage	12 / 24 / 48 V auto recognition
Max. Charge/Load Current	50 A
Float Charge	13.8 / 27.6 / 55.2 V (25 °C)
Main Charge	14.4 / 28.8 / 57.6 V (25 °C), 0.5 h daily
Boost Charge	14.4 / 28.8 / 57.6 V (25 °C), 2 h; activation: battery voltage < 12.3 / 24.6 / 49.2 V
Equalization Charge	14.8 / 29.6 / 59.2 V (25 °C), 2 h activation: battery voltage < 12.1 / 24.2 / 48.4 V (at least every 30 days)
Deep-Discharge Protection	11.5-12.0 / 23.0-24.0 / 46.0-48.0 V (by SOC) 11.0-11.5 / 22.0-23.0 / 44.0-46.0 V (by voltage)
Reconnect Level	12.8 / 25.6 / 51.2 V
Overvoltage Protection	15.5 / 31.0 / 62.0 V
Undervoltage Protection	10.5 / 21.0 / 42.0 V
Max. PV Panel Voltage	30 / 50 / 100 V
Temperature Compensation	-25 mV/K (12 V); -50 mV/K (24 V); -100 mV/K (48 V)
Idle Self-Consumption	<20 mA
Grounding	Common Negative
Ambient Temperature	-20 to +50 °C
Max. Altitude	4,000 m above sea level
Battery Type	Lead acid (gel, AGM, flooded)
Datalogger	2 years
Max. Wire Cross Section	50 mm <sup>2</sup>
Dimensions (WxHxD)	168 x 162 x 55 mm / 6.6 x 6.4 x 2.2 in
Weight	1 kg / 2.2 lbs
Ingress Protection	IP20
Certificates	CE compliant, RoHS compliant
Warranty	5 years