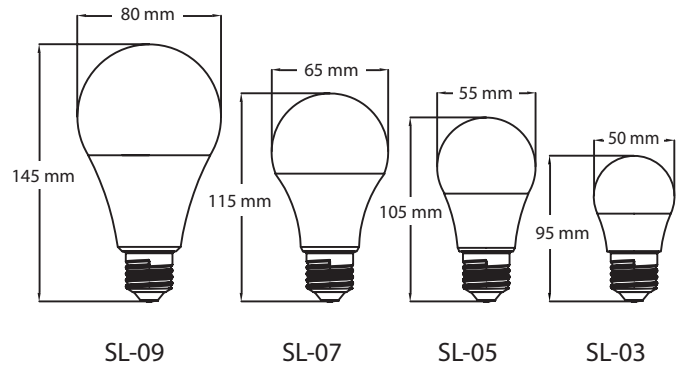




### Technical Drawing



### Product Introduction

The Phocos solar SL LED lamps provide high illumination levels with very low power consumption and a long lifespan. This is ensured by an aluminum PCB connected to a heatsink for optimal cooling.

The DC LED lamps can be used directly in 12 V or 24 V battery or solar systems without any ballast. The lamps have a standard E27 socket.

### Product Features

- Extremely low power consumption
- High luminous efficiency
- Lifespan 50,000 h
- Infinite number of switching cycles

### Technical Data

Type	SL-03	SL-05	SL-07	SL-09
Voltage Range	10.5 – 30 V			
Power Consumption	3 W	5 W	7 W	9 W
Supply Current ( $\pm 10\%$ )	220 mA at 12.5 V	360 mA at 12.5 V	500 mA at 12.5 V	650 mA at 12.5 V
Luminous Intensity	> 250 lm	> 500 lm	> 630 lm	> 900 lm
Luminous Efficiency	> 115 lm/W			
Irradiation Angle	120 - 140 °			
Light Color	Neutral white (typical: 5,600 K)			
Ambient Temperature	-20 to +60 °C			
Humidity Max.	95 % non-condensing			
Socket	E27 (Edison)			
Diameter	50 mm / 2 in	55 mm / 2.2 in	65 mm / 2.6 in	80 mm / 3.1 in
Length	95 mm / 3.7 in	105 mm / 4.1 in	115 mm / 4.5 in	145 mm / 5.7 in
Ingress Protection	IP30			
Warranty	2 years			